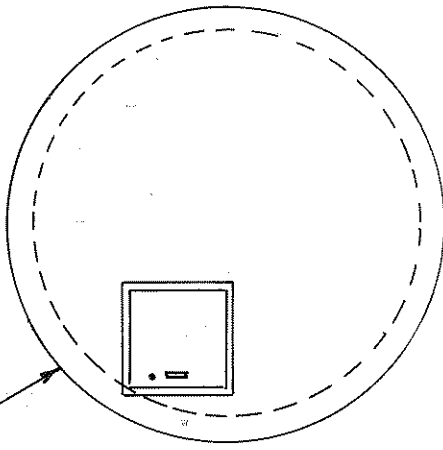
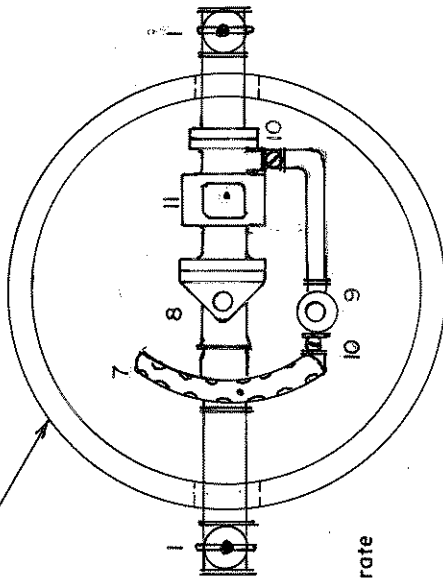


Precast Top with 30" x 30" door



TOP

1. Gate Valve
2. Water Meter (Sensus Model DRFS)
3. Check Valve
4. Domestic Meter (Sensus)
5. Meter Setter (Ford Meter Box Co. ball valve, dual check curb stop (Muller H-15200))
6. Main Line Strainer (Sensus Model FS)
7. Fire Flow Meter (Sensus Model CFS)
8. 2" Water Meter (Sensus)
9. 2" Brass Ball Valves
10. Detector Check Valve (Sensus Model E)



COMBINED DOMESTIC
and
FIRE LINE
(mobile home parks/ condos)

- NOTES:
1. WATER METER FURNISHED BY UTILITY WITH FLANGED UNION. SET METER NOT LESS THAN 12" OR MORE THAN 24" FROM THE FLOOR OR STONE.
 2. ACCESS COVER: FRAME AND COVER LIKE BILCO. 30" X 30" w/TYPE K-2 FRAME, CAST INTO CONCRETE TOP.
 3. METER VAULT SHALL BE A 6' DIAMETER STANDARD MANHOLE. IF CONCRETE BOTTOM IS USED SLOPE FLOOR/TOWARDS OPEN DRAIN. ADEQUATELY SUPPORT ALL PIPING, VALVES AND WATER METER FROM PIT FLOOR.
 4. VAULT SIZE SHALL BE COORDINATED WITH THE SPACE NEEDED FOR THE ACCUAL EQUIPMENT FURNISHED.
 5. METER VAULT TO BE PLACED ON 12" OF COMPACTED STONE.

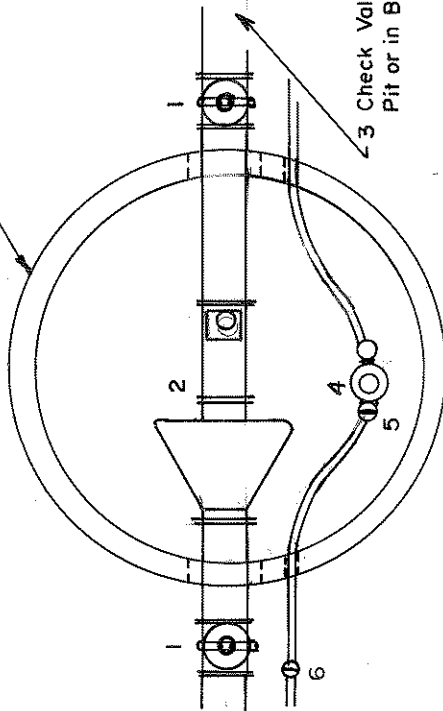
Revised check valve DRFS detail 1-10-07

BOROUGH OF WAYNESBORO

LARGE DIAMETER
METER PIT

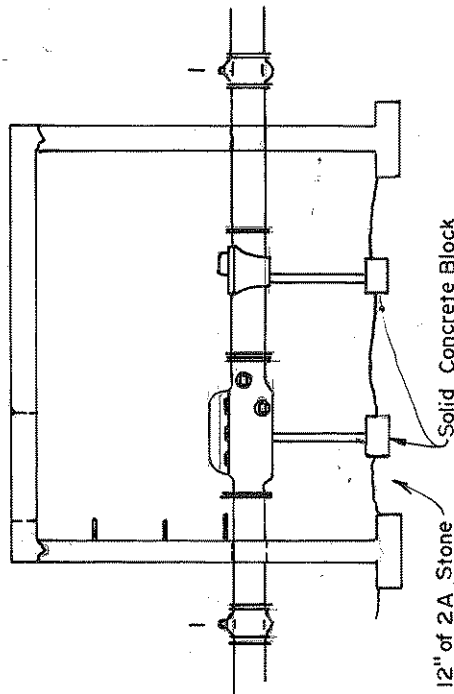
SCALE	DESIGNER S.A.C.	DWN BY S.A.C.
DATE December 19, 2006	FLD. BK. REF. N/A	CHKD. BY Kevin D. Grubbs

6' Precast Conc. M.H.



DUAL FIRE LINE
and
DOMESTIC METER

- SHOWN ARE TWO EXAMPLES OF LARGE DIAMETER METER PLACEMENT. WHEN USING A BYPASS ON THE FIRE FLOW LINE PLACE BYPASS OPPOSITE THE DOMESTIC SERVICE METER.



SIDE